



SOLAR PANEL MONOCRYSTALLINE 130W MAXX

36 cells
Monocrystalline

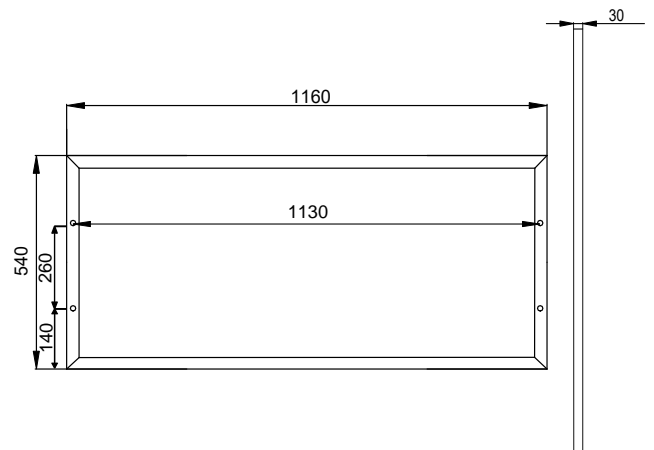
130W
Maximum power



TECHNICAL DATA

INDEX	P0208
MODEL	130W MAXX
Peak Power (Pmax) [W]	130
Maximum Power Voltage (Vmp) [V]	20,88
Maximum Power Current (Imp) [A]	6,23
Open Circuit Voltage (Voc) [V]	25,15
Short Circuit Current (Isc) [A]	6,69
Maximum System Voltage	1000VDC(IEC)
Power Tolerance	+3%
Cell Type	Monocrystalline
Dimensions [mm]	1160x540x30
Weight [kg]	6,7
Output cables	90x2x4mm ² MC4
Warranty	5 years
Bus Bar	5BB
Junction box	IP67
Front Glass (tempered glass)	3,2mm
Frame	black

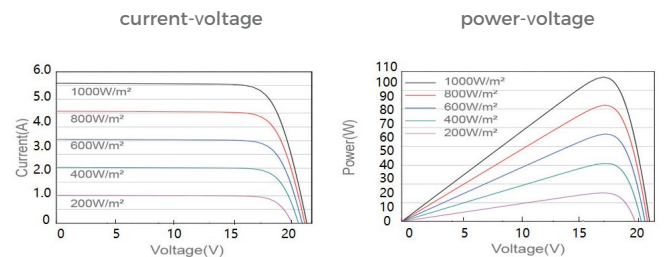
TECHNICAL DRAWING (mm)



The dimensions given are measured to the center of the mounting hole.

Differences between individual batches may be ± 5 mm.

CHARACTERISTIC



ISO9001
ISO14001
OHSAS18001
IEC TS 62941



BIS



The electrical parameters listed on the product label may differ slightly from the specifications.



4Sun sp. z o.o. sp.k.
Annopol 4, 03-236 Warszawa
tel: (22) 114 98 05, email: biuro@4sun.eu

www.4sun.eu