

GEL BATTERY 150Ah MAXX

12V Voltage
150Ah Capacity

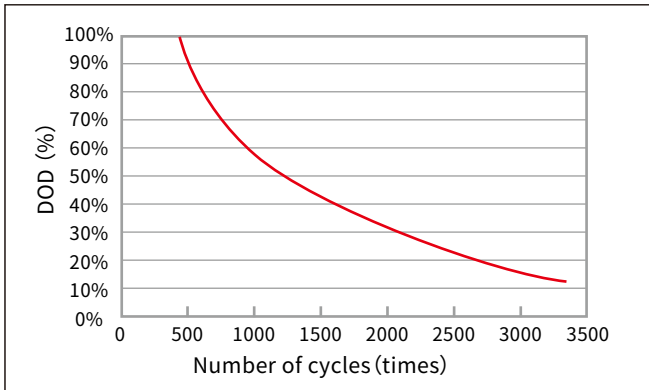


MAXX

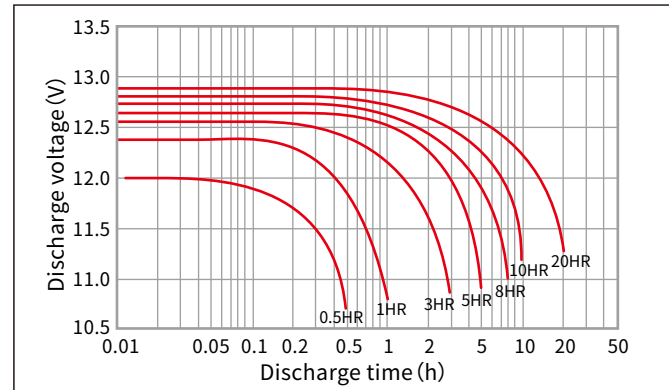
TECHNICAL DATA

INDEX	B0057
MODEL	150Ah MAXX
Nominal voltage [V]	12
Nominal capacity [Ah]	150
Length [mm]	483
Width [mm]	171
Housing height [mm]	241
Overall height [mm]	241
Weight +/- 3% [kg]	42,2
Cyclic charging [V]	14,4-14,9
Buffer charge [V]	13,5-13,8
Self-discharge within 3 months	91%
Self-discharge within 6 months	82%
Self-discharge within 12 months	64%
Recommended operating temperature	15°C~25°C
Temperature parameters	±3mV/Cell °C

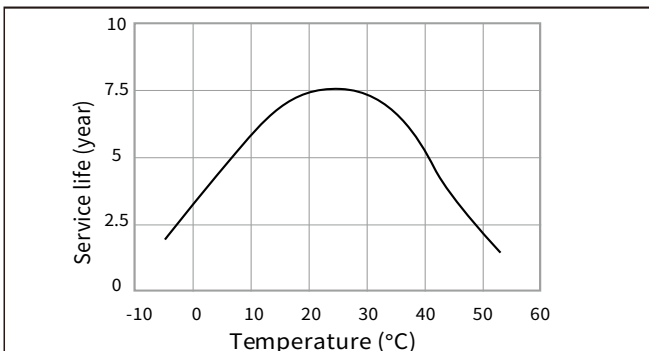
BATTERY LIFE



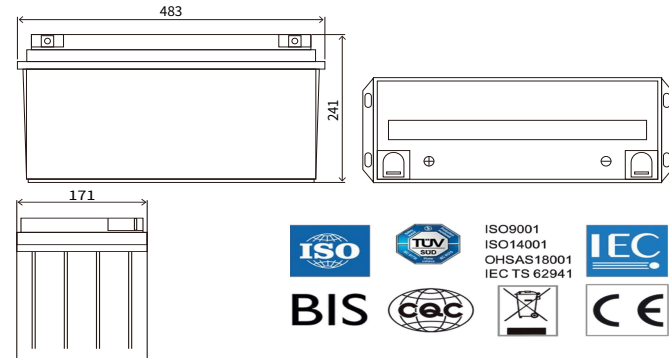
DISCHARGE CHARACTERISTICS



TEMPERATURE AND SERVICE LIFE



TECHNICAL FIGURE (mm)



DISCHARGE TIME PER CONNECTION (25A)

Termination Voltage (V/Cell)	1H	3H	5H	10H	20H	50H	100H	120H	240H
1.7	79.65	36.21	24.20	15.61	8.06	3.39	1.84	1.63	0.86
1.75	78.06	35.84	23.77	15.39	7.88	3.26	1.72	1.52	0.80
1.8	76.50	35.50	23.40	15.00	7.69	3.15	1.65	1.42	0.76
1.85	73.44	35.30	22.95	14.38	7.31	3.02	1.54	1.33	0.69
1.9	70.51	34.99	22.61	14.08	7.19	2.93	1.49	1.27	0.65
1.95	67.41	34.29	22.14	13.30	6.69	2.72	1.41	1.21	0.62

Constant current discharge coefficient(25°C, A)

The electrical parameters indicated on the product label may differ slightly from the specifications.



4Sun sp. z o.o. sp.k.
Annapol 4, 03-236 Warszawa
tel: (22) 114 98 05, email: biuro@4sun.eu

www.4sun.eu