

SOLAR PANEL MONOCRYSTALLINE

55W MAXX

36 cells
Monocrystalline

55W
Maximum power

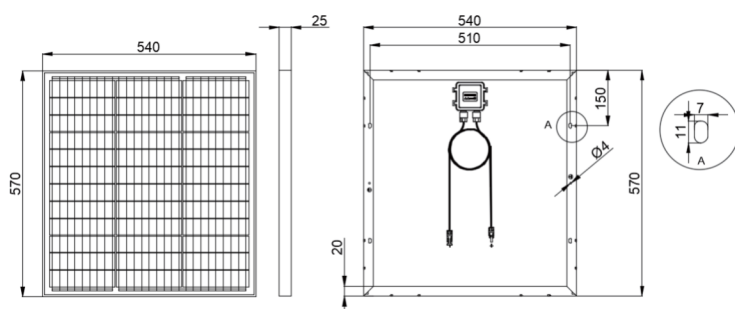


MAXX

TECHNICAL DATA

INDEX	P0194
MODEL	55W Maxx
Peak Power (Pmax) [W]	55
Maximum Power Voltage (Vmp) [V]	20,46
Maximum Power Current (Imp) [A]	2,69
Open Circuit Voltage (Voc) [V]	23,47
Short Circuit Current (Isc) [A]	2,83
Maximum System Voltage	1000VDC(IEC)
Power Tolerance	+3%
Cell Type	Monocrystalline
Dimensions [mm]	570x540x25
Weight [kg]	3,3
Output cables	90cm 2x2,5mm MC4
Warranty	5 years
Bus Bar	5BB
Junction box	IP67
Front Glass (tempered glass)	3,2mm
Frame	black

TECHNICAL DRAWING (mm)



The dimensions given are measured to the center of the mounting hole.

Differences between individual batches may be ± 5 mm.



ISO9001
ISO14001
OHSAS18001
IEC TS 62941

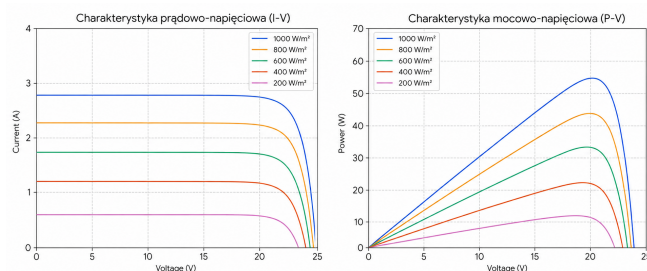


BIS



Images are for illustrative purposes only. The actual appearance of the product may differ slightly from the images shown.

CHARACTERISTIC



The electrical parameters listed on the product label may differ slightly from the specifications.

4sun®

4Sun sp. z o.o. sp.k.
Annopol 4, 03-236 Warszawa
tel: (22) 114 98 05, email: biuro@4sun.eu

www.4sun.eu