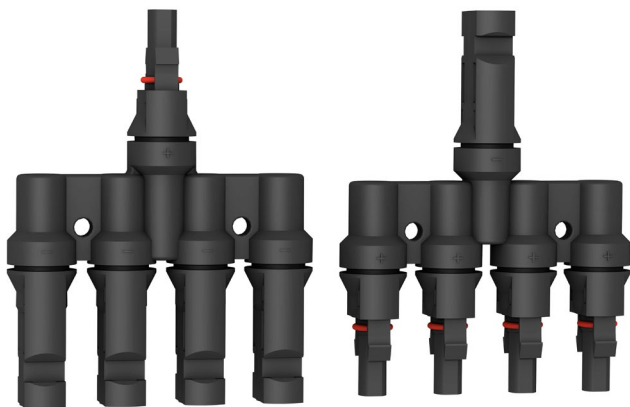


# Serial connector SY-BB41-A/B



IEC 1500V  
UL 1500V



UL: 6703  
IEC: 62852



-40°C~85°C



UL94-V0



IP 67

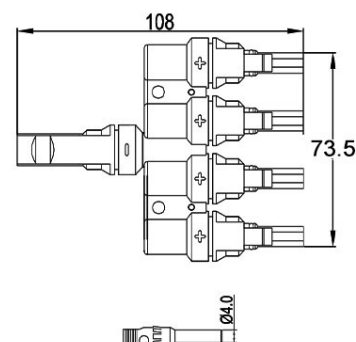


UV resistant



## Specification

The SY-BB41-A/B connectors use materials of high quality, guaranteeing long-term reliability. Lower connection resistance and increased current flow ensure high product efficiency. The SY-BB41-A/B connectors are IP67 rated and can be used over a wide temperature range from -40 °C to 85 °C.



## Technical data

Nominal voltage	IEC 1500V
Certification	IEC 62852
Nominal current	50A
Ambient temperature	-40°C to +85 °C
Connection resistance	≤0.25mΩ
Pollution class	Class II
Security class	Class II
Fire resistance	UL94-V0
Nominal impulse voltage	16KV
Product code	A0008

